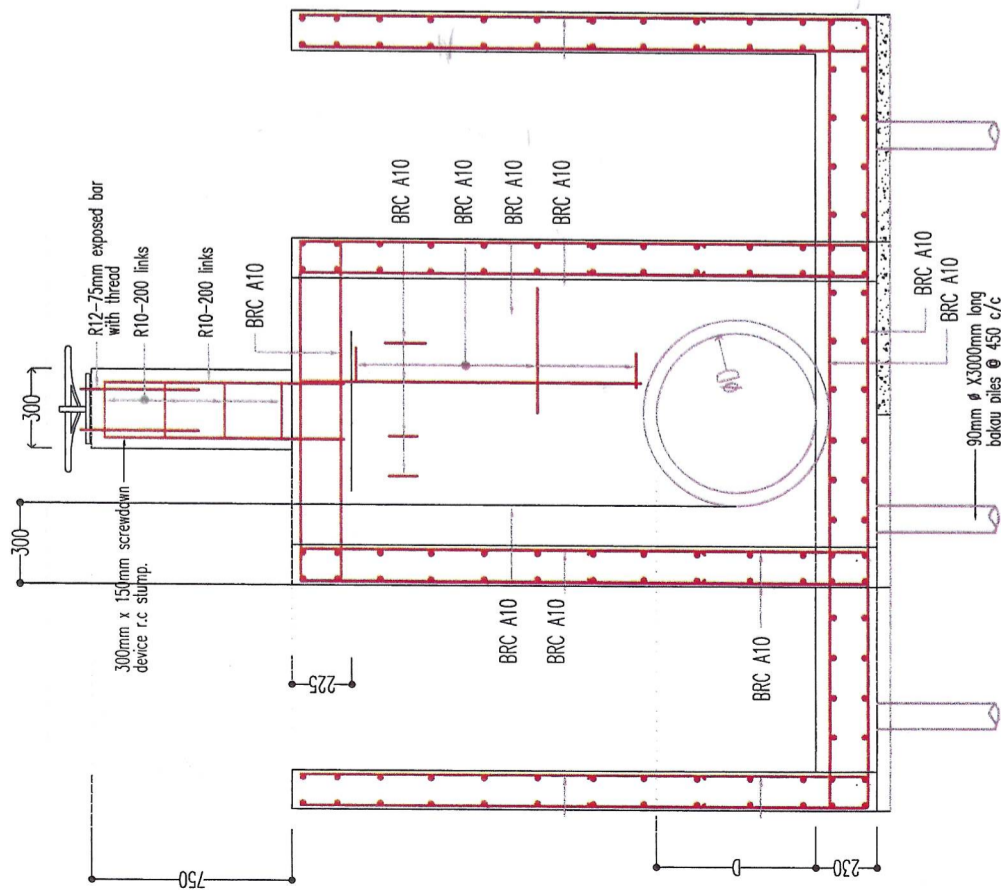
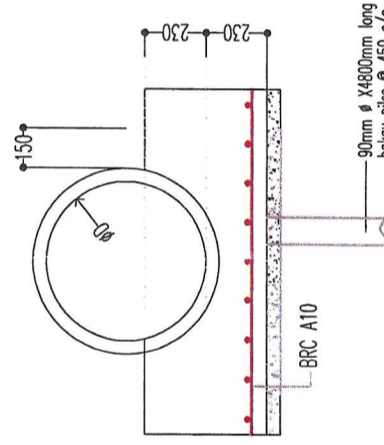


SECTION D-D



SECTION B-B



SECTION C-C

NOTES:

1. All works shall be carried out in accordance with the detailed specifications.
2. All dimensions shall be in millimeters unless otherwise indicated.
3. All reinforcement concrete min. grade 30 prescribed mixed for nominal maximum size aggregate.
The minimum cement to be 290 kg/m³.
4. Plain concrete grade 7 for blinding layer.
5. 40mm cover for all reinforcement unless stated.
6. Formwork shall be rough-faced for all surfaces in contact with earth, fair-faced for all other surfaces.
7. All fillets to be 75mm unless otherwise stated.
8. All Piles shall be of 90mm ϕ x 3000mm long bakau piles @ 450 c/c
9. Painting shall be as specified for all exposed concrete surfaces.

DIUBAHSAJAI OLEH	TANDATANGAN	NAMA	TARIKH	SEKIL: 1 : 100 & AS SHOWN
DILUKIS OLEH		ANIS BINTI MOHD ISA		NO. PELAN: WAP/STW/1/16-03
DISEMAK OLEH		ROSEETI NORAZELA ET HASNI		NO. REG. NO. KABINET