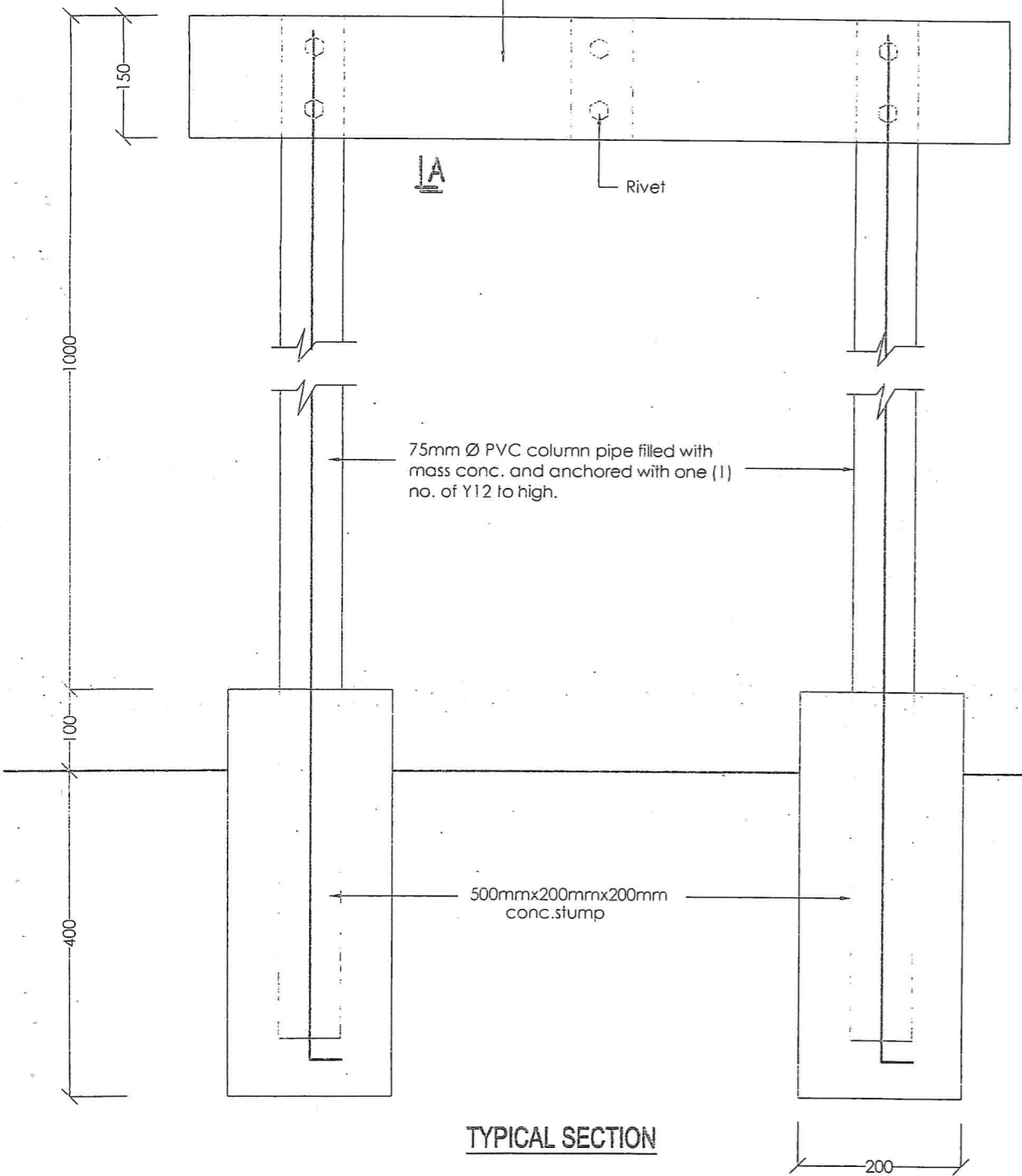
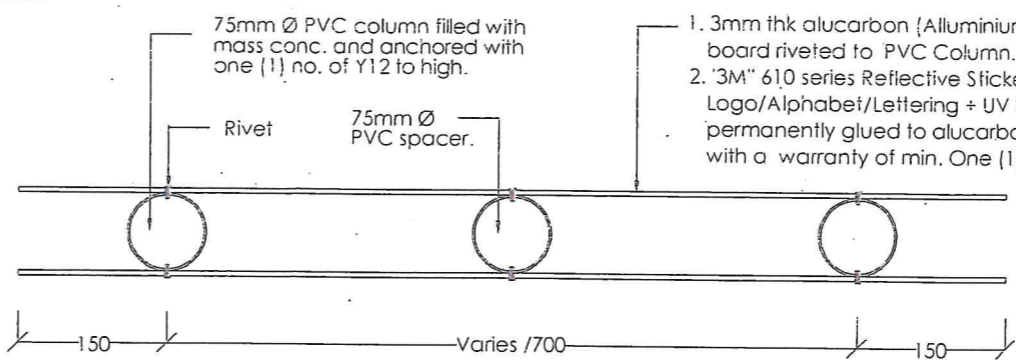




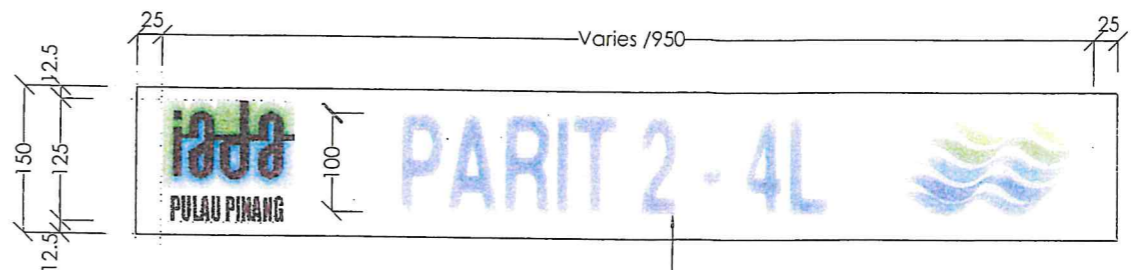
1. 3mm thk alucarbon (Alluminium composit) board riveted to 75mm Ø PVC Column.
2. '3M' 610 series Reflective Sticker print out + UV layer permanently glued to alucarbon (Alluminium composit) board with a warranty of min. two (2) years.
3. Colours of all exposed printed Logo/Alphabet/lettering from faded with a warranty minimum of One (1) year from manuf's.



TYPICAL SECTION

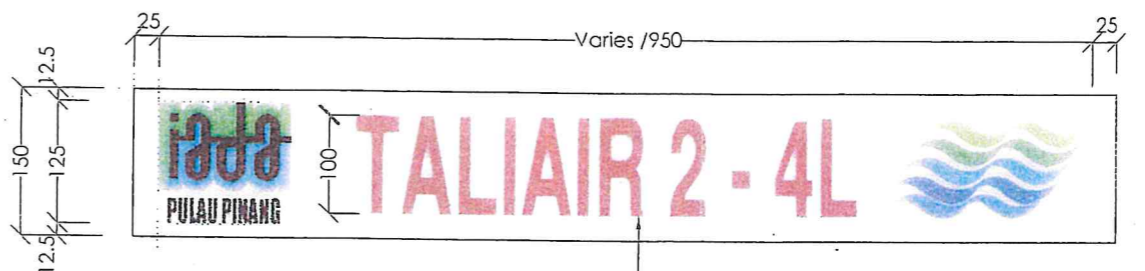


PLAN



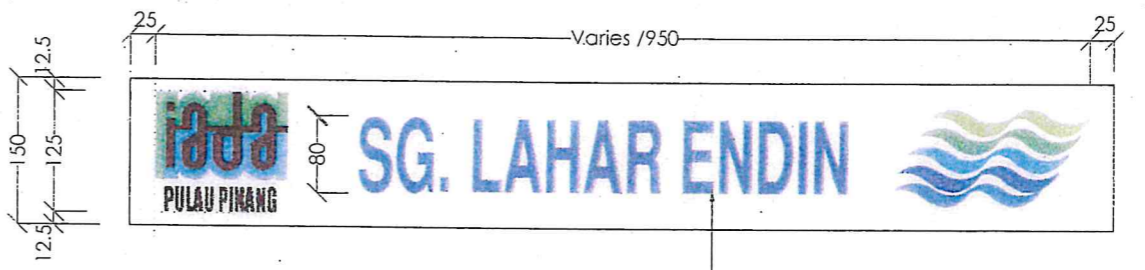
FRONT FACE FOR PARIT

Printed Logo/alphabet/lettering on '3M' 610 series Reflective Sticker.



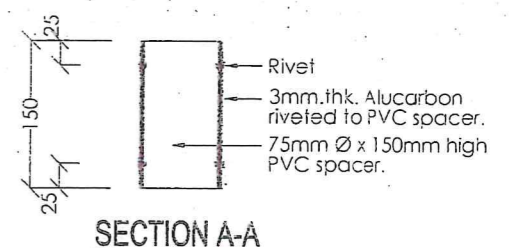
FRONT FACE FOR TALIAIR

Printed Logo/alphabet/lettering on '3M' 610 series Reflective Sticker.



FRONT FACE FOR SUNGAI

Printed Logo/alphabet/lettering on '3M' 610 series Reflective Sticker.



SECTION A-A

- NOTES:
1. All dimensions are in millimeters
  2. The exact location and rotation of the signboard on site shall be as directed by S.O.
  3. The colour of the name of River and Drain shall be DARK BLUE as directed by S.O.
  4. The colour of the name of Canal shall be DARK RED as directed by S.O.
  5. The font for all lettering shall be Sans Serif as shown.

**ipda**  
PULAU PINANG  
KAWASAN PEMBANGUNAN PERTANIAN BERSEPADU  
PULAU PINANG  
Jalan Jelawat, 13700 Seberang Jaya,  
Pulau Pinang  
Tel: 04-3907801  
Fax no: 04-3907803

BUTIRAN	NOTA / PINDAAN	TANDATANGAN	TARIKH

KAWASAN PEMBANGUNAN PERTANIAN BERSEPADU PULAU PINANG  
**PAPAN TANDA NAMA SUNGAI, PARIT DAN TALIAIR**

INILAH PELAN YANG BERKAITAN DIDALAM KONTRAK NO.

HJ. KHIRLUDDIN BIN DARUS  
JURUTERA PROJEK  
KAWASAN PEMBANGUNAN PERTANIAN BERSEPADU  
PULAU PINANG

MOHD ZAIROL AZMI BIN ZAINUN  
PENOLONG JURUTERA JSG  
KAWASAN PEMBANGUNAN PERTANIAN BERSEPADU  
PULAU PINANG

TANDATANGAN	NAMA	TARIKH	SKALA
			1:100 & as shown
DIUBAHSUAI OLEH			NO. PLAN IDA/STD/M/15-3
DILUKIS OLEH	MARZUKI BIN TAMAT	MAC. 2015	NO. NEG
DISEMAK OLEH	MOHD ZAIROL AZMI	MAC. 2015	NO. KABINET